



# AUTOMATION



Tweetop Sp. z o. o. is a dynamically developing company with entirely Polish capital and management, present on the market since 2001. Since the beginning of its operations, the company has been headquartered in Szczecin, where it has continuously carried out the design, production and distribution of modern installation systems.

In 2011, Tweetop moved all its operations – production, the research and development laboratory, the central warehouse, logistics and the sales office – to a beautifully restored 19th-century clinker brick building located at ul. Ludowa 24c in Szczecin. This historic building, modernised in line with the highest technical and environmental standards, now serves as the company's operational centre.

Tweetop is present not only on the domestic market but is also dynamically expanding its export activities. The company's products are now available in 18 countries across Europe and beyond, which attests to their high quality, reliability and competitiveness. Thanks to the consistent implementation of its development strategy, its innovative approach and its strong focus on quality and customer service, Tweetop has secured a strong position in the installation industry, both in Poland and on international markets.



## TABLE OF CONTENTS

1. System components	5
2. Wired, flush-mounted system	6
3. Wired, flush-mounted system with WiFi	8
4. Wired, wall-mounted system	11
5. Actuators	14
6. Wiring rails	16
7. Wired, flush-mounted system with Modbus	18
8. Wired, flush-mounted 24V system	20
9. ZIGBEE System	22
10. Boiler and pump control	24
Wired, wall-mounted	24
Wireless and wireless with WiFi	28
11. Connection diagrams	31
12. EU declarations of conformity	35




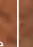
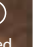
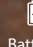














## **TWEETOP SMART HOME**

The control system for floor, wall, ceiling or radiator heating allows thermostats to be programmed for each individual room as well as for the entire building. It is available in both wired and wireless versions. The system enables remote control not only of heating, but also of lighting, blinds, cameras, and home electronics and appliances from other manufacturers. The temperature control system can help save up to 30% on heating costs.

# 1. SYSTEM COMPONENTS

DEVICE	MODEL	CONNECTION					POWER SUPPLY			MOUNTING		FUNCTION
		 RF	 Wi-Fi	 Zigbee	 Wired	 Modbus	 Battery	 230V	 24V	 Flush-mounted	 Wall-mounted	
Thermostat	TSH 001				•			•	•		•	
Thermostat	TSH 002				•			•	•		•	
Thermostat	TSH 001 WIFI		•		•			•	•		•	
Thermostat	TSH 002 WIFI		•		•			•	•		•	
Thermostat	TSH 003 WIFI		•		•			•	•		•	
Thermostat	TSH 004				•			•		•	•	
Thermostat	TSH 005				•	•				•	•	
Thermostat	TSH 100				•	•				•	•	
Thermal Actuator	TSH 30 NC STANDARD				•			•				
Thermal Actuator	TSH BASIC				•			•				
Control Panel	TSH L800				•			•		•		
Control Panel	TSH L801				•			•		•		
Thermostat	TSH 001 MODBUS				•			•	•		•	
Thermostat	TSH 002 MODBUS				•			•	•		•	
Thermostat	TSH 001 24V				•			•	•		•	
Thermostat	TSH 002 24V				•			•	•		•	
Control Panel	TSH L801 24V				•			•		•		
Radiator Thermostat	TSH G400 ZIGBEE	•		•		•						
Smart Gateway	TSH B100 ZIGBEE	•		•			•			•		
Thermostat	TSH 004 ZIGBEE			•	•			•		•	•	
Thermostat	TSH 005 ZIGBEE			•	•	•				•	•	
Thermostat	TSH 100 ZIGBEE			•	•	•				•	•	
Thermostat	TSH 100 RF	•				•		•		•	•	
Thermostat	TSH 100 RF WIFI	•	•			•		•		•	•	

-  Wireless communication system operating at 868 MHz, with the option of non-invasive thermostat installation. The devices are battery-powered (the batteries need to be replaced once per season). No possibility of remote device control.
-  Remote control system for wired devices, without the need for additional internet equipment such as a smart gateway. Communication directly with the home router.
-  Remote control system for battery-powered or 230V wired devices. Requires an additional device (a smart gateway). No load on the WiFi network or the home router, as communication takes place on a different band/frequencies than WiFi. Programmed settings continue to operate even in the absence of, or in the event of an internet failure.
-  Wired system powered via 230V or 24V cabling. Stable, requiring no additional user actions such as battery replacement, with the option of surface-mounted or concealed installation.
-  An open communication protocol used for data exchange between devices, characterised by its versatility and ease of adaptation to both small, local networks and large, distributed automation systems.
-  Heating and cooling function

We cannot guarantee that the material you are holding is up to date. The technical parameters, procedures and other information contained herein may have changed and do not constitute grounds for any potential claims. Please verify this information each time at [www.tweetop.com](http://www.tweetop.com)

## 2. WIRED, FLUSH-MOUNTED SYSTEM

2

# Thermostats

concealed units designed to control the temperature of an individual heating zone in water-based surface heating systems or for direct connection to a heating device. They allow for significant savings thanks to the ability to precisely control the set temperature. The controllers operate in daily, weekly or manual mode.

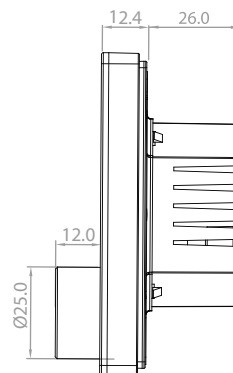
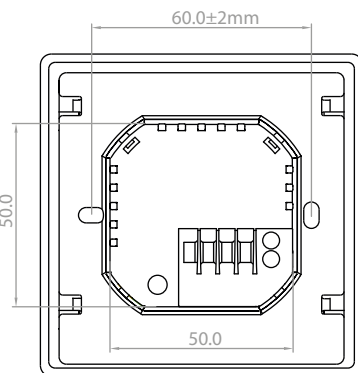
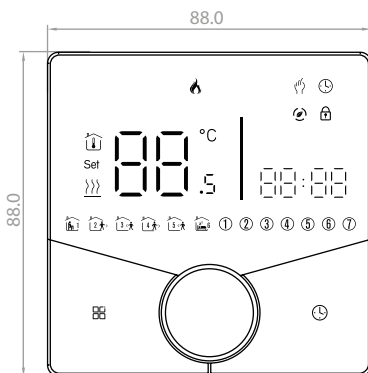
ID: 06038411



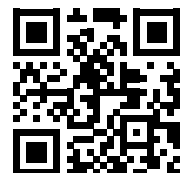
ID: 06038412



# TSH 001

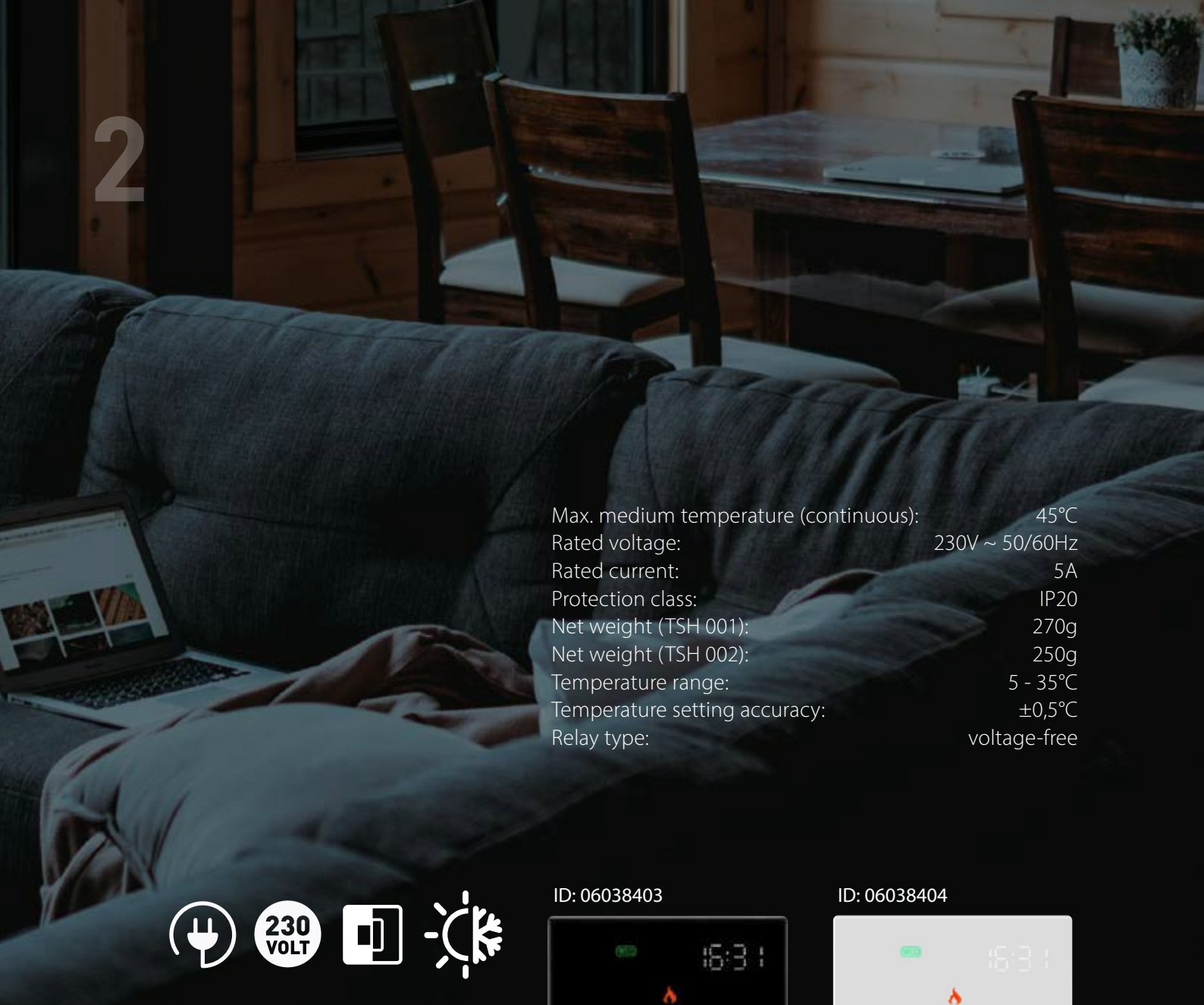


User Manual



[tweetop.com/TSH001](https://tweetop.com/TSH001)

# 2



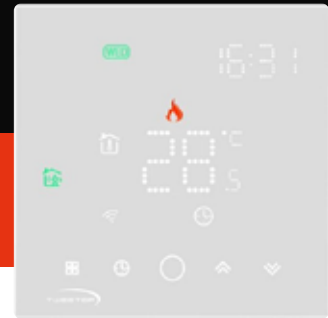
Max. medium temperature (continuous):	45°C
Rated voltage:	230V ~ 50/60Hz
Rated current:	5A
Protection class:	IP20
Net weight (TSH 001):	270g
Net weight (TSH 002):	250g
Temperature range:	5 - 35°C
Temperature setting accuracy:	±0,5°C
Relay type:	voltage-free



ID: 06038403

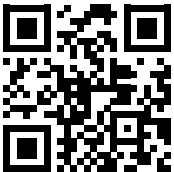


ID: 06038404

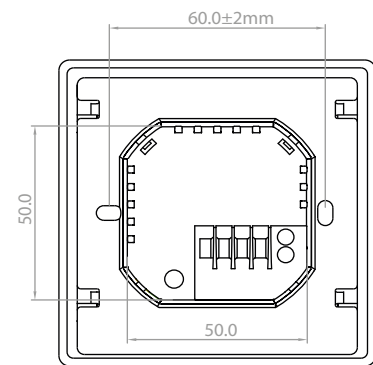
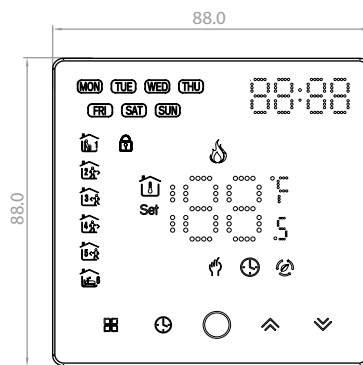
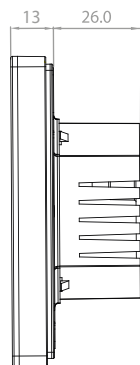


## TSH 002

User Manual



[tweeetop.com/TSH002](https://tweeetop.com/TSH002)



### 3. WIRED, FLUSH-MOUNTED SYSTEM with WiFi

3

## WiFi thermostats

concealed units designed to control the temperature of an individual heating zone in water-based surface heating systems or for direct connection to a heating device. The controllers operate in daily, weekly or manual mode. By integrating with the Smartlife mobile app, you can create a comprehensive smart home ecosystem.

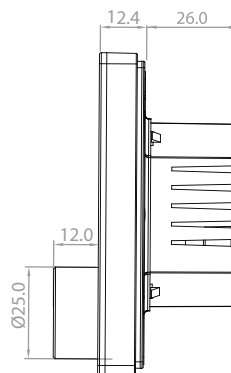
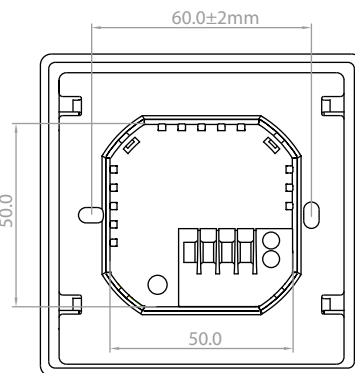
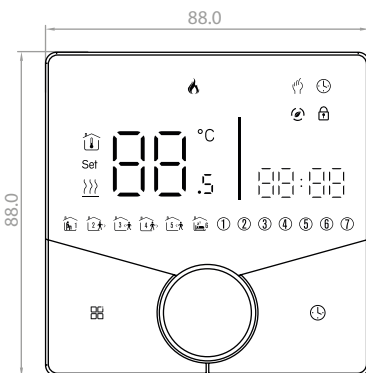
ID: 06038415



ID: 06038416



## TSH 001 WIFI

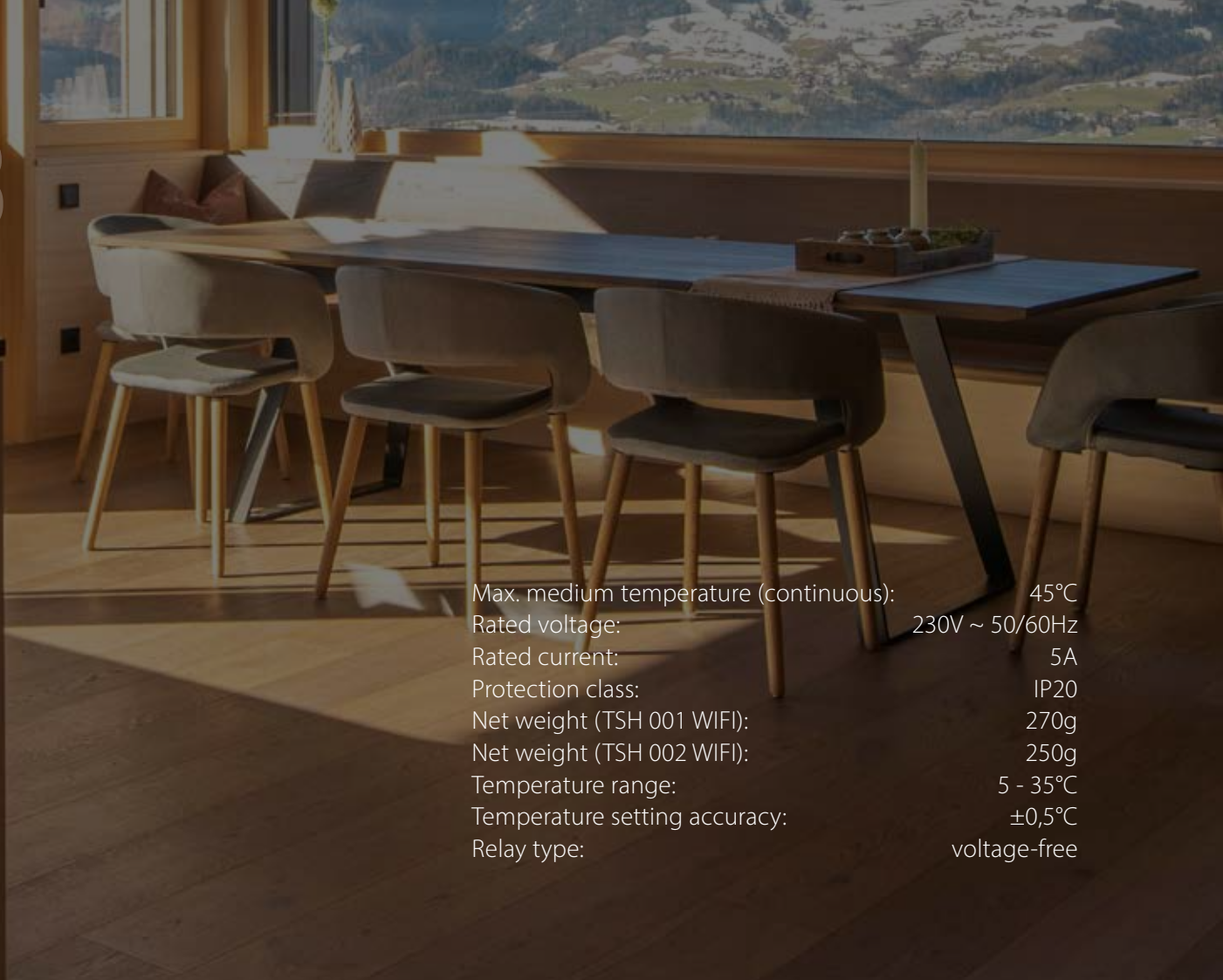


User Manual



[tweetop.com/TSH001WIFI](https://tweetop.com/TSH001WIFI)

# 3



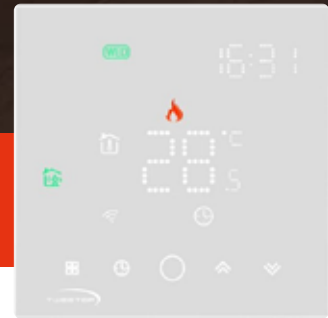
Max. medium temperature (continuous): 45°C  
 Rated voltage: 230V ~ 50/60Hz  
 Rated current: 5A  
 Protection class: IP20  
 Net weight (TSH 001 WIFI): 270g  
 Net weight (TSH 002 WIFI): 250g  
 Temperature range: 5 - 35°C  
 Temperature setting accuracy: ±0,5°C  
 Relay type: voltage-free



ID: 06038407



ID: 06038408

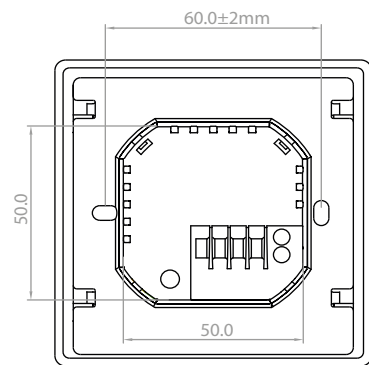
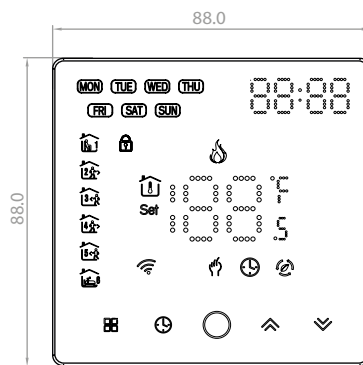
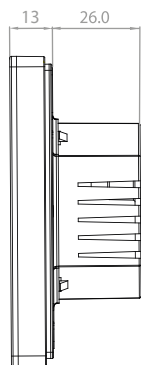


## TSH 002 WIFI

User Manual



[tweeetop.com/TSH002WIFI](https://tweeetop.com/TSH002WIFI)



Search for "Smartlife" in the Apple Store or Google Play and complete the account registration and installation according to the instructions in the app.



Max. medium temperature (continuous):	45°C
Rated voltage:	230V ~ 50/60Hz
Rated current:	5A
Protection class:	IP20
Net weight (TSH 003 WIFI):	300g
Temperature range:	5 - 45°C
Relay type:	voltage-free

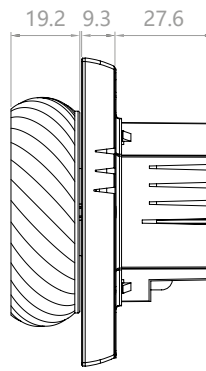
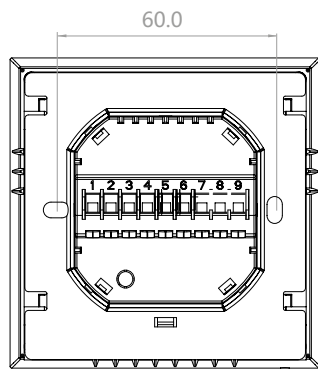
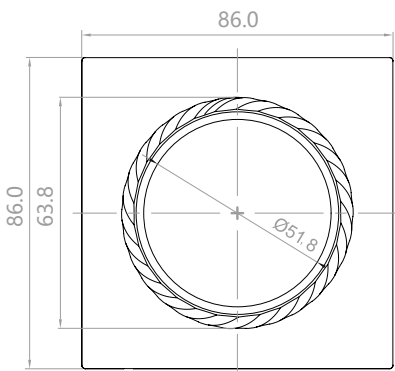
ID: 06038473



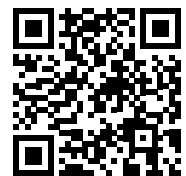
ID: 06038474



## TSH 003 WIFI



User Manual



[tweetop.com/TSH003WIFI](http://tweetop.com/TSH003WIFI)

# 4

## 4. WIRED, WALL-MOUNTED SYSTEM

# Thermostat

TSH 100 is a wired room thermostat with battery power supply. It can be connected to an underfloor heating wiring rail as well as directly to a heat source, such as a gas boiler. It enables the control of electric, gas or water heating, as well as the circulation pump of an underfloor heating system. It features a built-in floor or radiator heating algorithm.

Power supply:	2 × AA (batteries)/USB
Power consumption:	<1,5W
Temperature setting accuracy:	±0.5°C
Protection class:	IP20
Temperature reading error:	<1%
Operating/temperature range:	0 - 45°C
Material:	PC+ABS (fireproof)

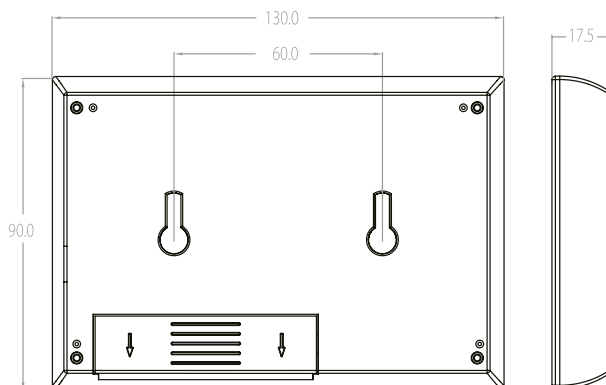


ID: 06038451

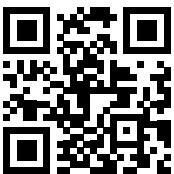


# TSH 100

ID: 06038452



User Manual



[tweetop.com/TSH100](http://tweetop.com/TSH100)

# Thermostats

wall-mounted units, TSH 004 and TSH 005, are designed to control the temperature of an individual heating zone in water-based surface heating systems or for direct connection to a heating device.

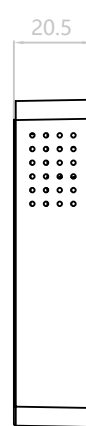
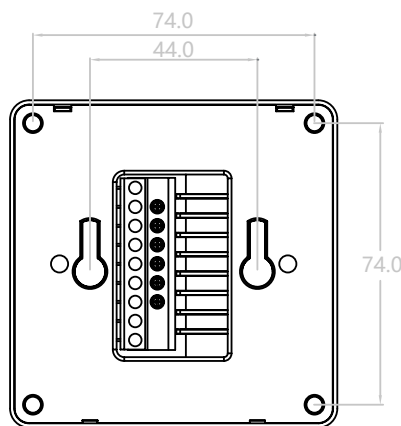
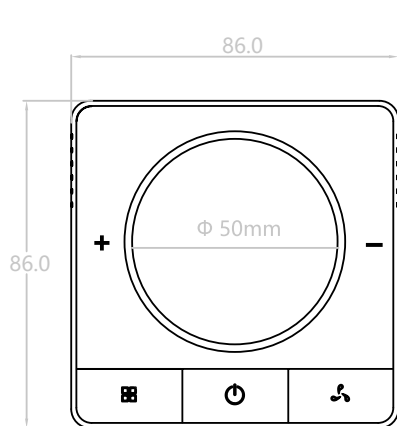
ID: 06038461



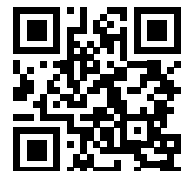
ID: 06038462



**TSH 004**



User Manual



[tweetop.com/TSH004](http://tweetop.com/TSH004)

# 4

TSH 004 Max. medium temperature (continuous): 45°C  
 Rated voltage: 230V ~ 50/60Hz  
 Degree of protection (IP): IP20  
 Temperature range: 5 - 45°C  
 Accuracy: ±0.5°C  
 Relay type: voltage-free

TSH 005 Max. medium temperature (continuous): 45°C  
 Rated voltage: 2 × AA(batteries)  
 Degree of protection (IP): IP20  
 Temperature range: 5 - 45°C  
 Accuracy: ±0.5°C  
 Relay type: voltage-free

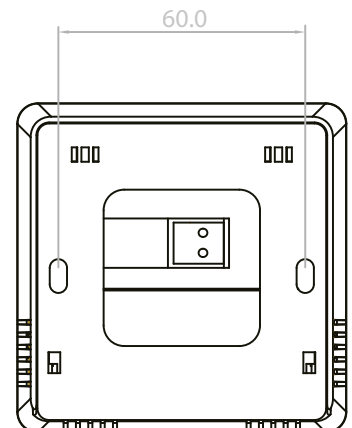
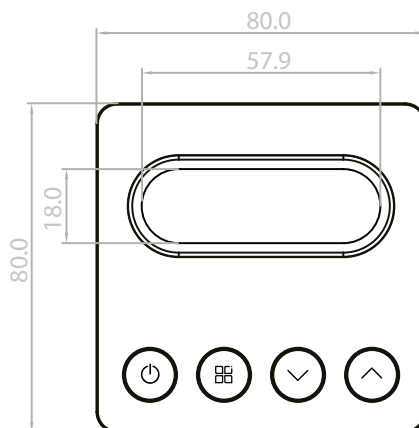
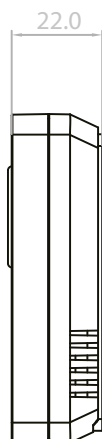


ID: 06038481

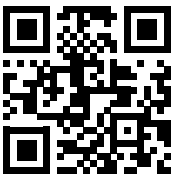
ID: 06038482



## TSH 005



User Manual



tweetop.com/TSH005

## 5. ACTUATORS

# 5

# Thermal actuator

for the underfloor heating manifold, designed for controlling the heating system. It can be used with valve inserts in the manifold or with zone valves. It enables the opening or closing of the heating medium flow in the loop, ensuring temperature control. It works directly with the controller or indirectly via the wiring rail. It is available with a separate adapter that can be screwed onto the manifold bar or a zone valve.

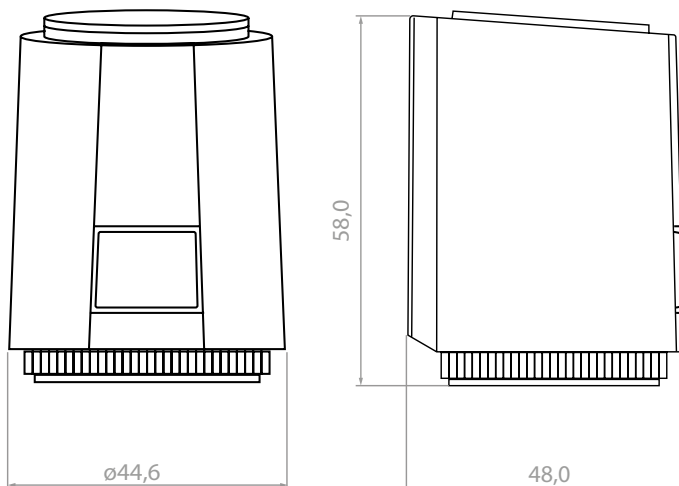
Thread size:	M30 × 1.5mm
Power supply:	230V ~ 50Hz
Power consumption:	2W
Starting current:	300mA/200ms
Pressure force:	100N ±15%
Max. stroke:	4.5mm
Storage temp:	-25°C do +60°C
Ambient temp:	maks. 60°C
Protection class:	IP 54/II
Cable length:	90cm

ID: 06038430



**230  
VOLT**

## TSH 30 NC STANDARD



User Manual



[tweetop.com/TSH30NC](https://tweetop.com/TSH30NC)  
STANDARD

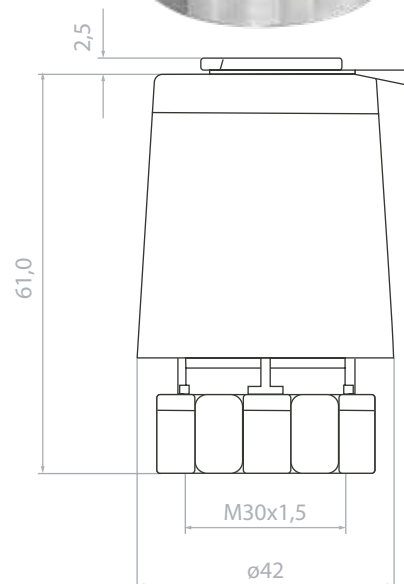
Thread size: M28/30 × 1.5mm  
 Power supply: 230V ~ 50Hz  
 Opening type: NC/NO  
 Power consumption: 2W  
 Starting current: 300mA/200ms  
 Contact force: 100N ±15%  
 Max. stroke: 4.5mm  
 Protection class: IP 54/II

TSH 28 NC BASIC	ID: 06038424
TSH 28 NC BASIC 24V	ID: 06038422
TSH 28 NO BASIC	ID: 06038423
TSH 30 NC BASIC	ID: 06038429
TSH 30 NC BASIC 24V	ID: 06038427
TSH 30 NO BASIC	ID: 06038428



230  
VOLT

24  
VOLT



User Manual



[tweetop.com/TSH-BASIC](https://tweetop.com/TSH-BASIC)

## 6. CONTROL PANELS

# 6

# Control panels

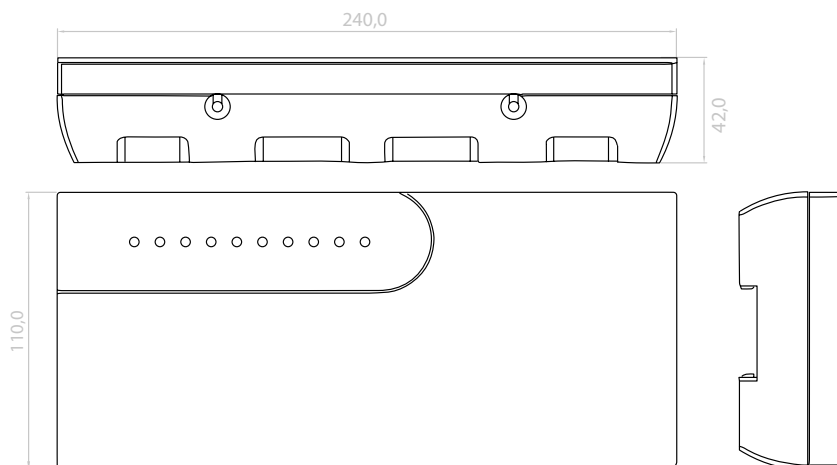
designed for controlling surface heating (8 zones). They allow convenient connection of wired temperature controllers and actuators. It features a built-in control module for the heating device and the circulating pump. The wiring rail regulates room temperature by closing or opening the flow through the heating loops using the thermal actuators connected to the rail and mounted on the manifold.

Power supply: 230V ~ 50Hz  
Max. load: 9(1)A  
Outputs: pump (230V-3A)  
boiler (NO/COM)  
actuators (230V) 500g  
Net weight: 0~30~45~60~120s  
Delay function: (pump and boiler)

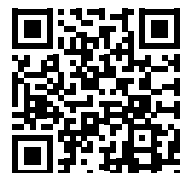
ID: 06038433



## TSH L800



User Manual



[tweetop.com/TSH L800](http://tweetop.com/TSH L800)

# 6

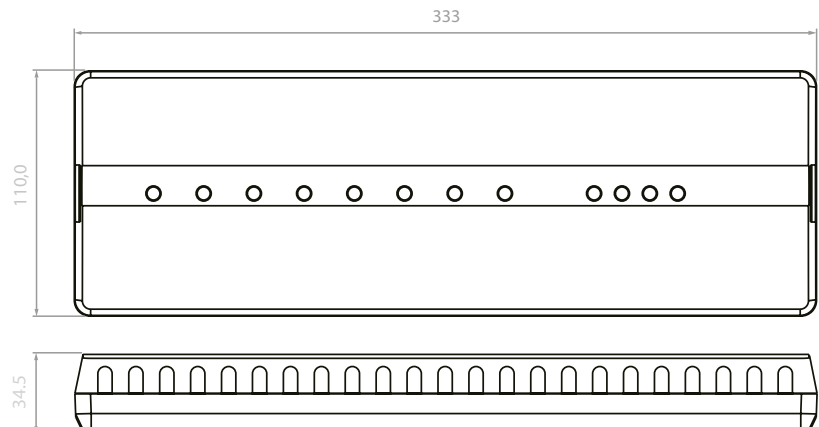


Power supply: 230V ~ 50Hz  
 Max. load: 9(1)A  
 Outputs: pump (230V-3A)  
           boiler (NO/COM)  
           actuators (230V)  
 Net weight: 750g  
 Delay function: 0~30~60~120~180s  
                   (pump and boiler)

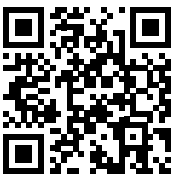
ID: 06038432



## TSH L801



User Manual



[tweetop.com/TSH L801](http://tweetop.com/TSH L801)

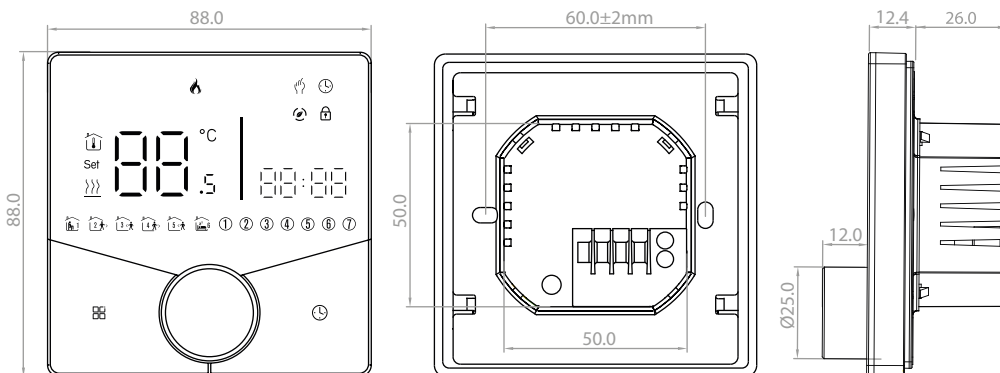
## Thermostats

Modbus-based temperature controllers can be easily integrated with automation systems, providing central monitoring and precise temperature control. They enable fast parameter reading, remote adjustment of settings and energy-use optimisation, which translates into lower operating costs.

ID: 06038414



## TSH 001 MODBUS



User Manual



[tweeetop.com/TSH001MODBUS](https://tweeetop.com/TSH001MODBUS)

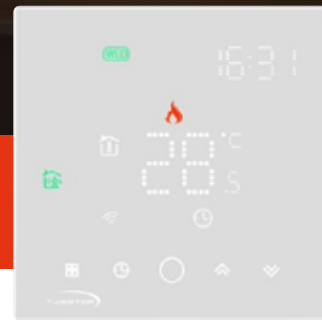
# 7

Rated voltage:	230V ~ 50Hz
Rated current:	5A
Max. medium temperature (continuous):	45°C
Protection class:	IP20
Temperature range:	5 - 35°C
Accuracy:	±0,5°C
Relay type:	voltage-free



ID: 06038406

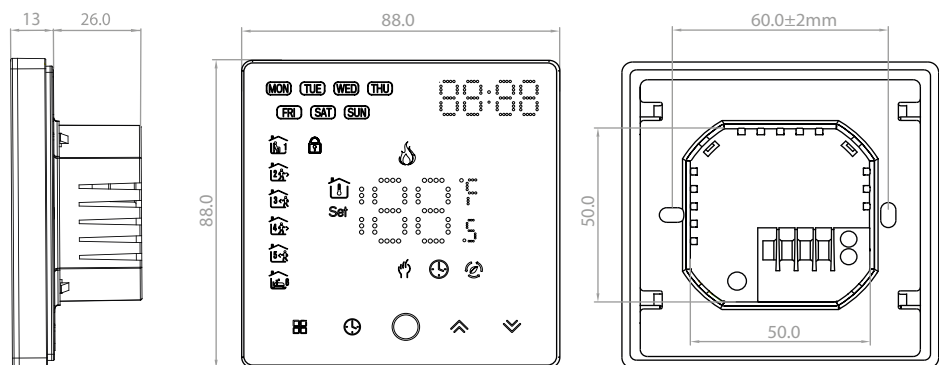
## TSH 002 MODBUS



User Manual



[tweeetop.com/TSH002MODBUS](http://tweeetop.com/TSH002MODBUS)



## 8. WIRED, FLUSH-MOUNTED 24V SYSTEM

8

# Thermostats

powered with 24V are a safe and energy-efficient solution, ideal for modern installations. Low-voltage power supply minimises the risk of electric shock, making it particularly suitable for applications in facilities requiring a high level of safety – such as schools, hospitals or offices. This solution increases system reliability and helps reduce servicing costs in the long term.

Rated voltage:	24V ~ 50/60Hz
Max. medium temperature (continuous):	45°C
Rated current:	5A
Degree of protection (IP):	IP20
Temperature range:	5 - 35°C
Relay type:	voltage-free

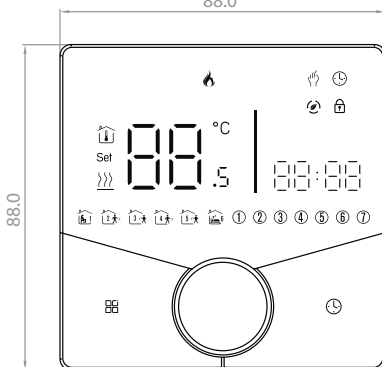


### TSH 001 24V

ID: 06038410

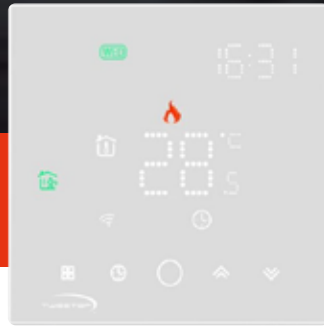


88.0

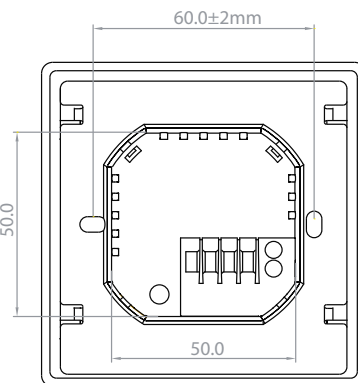
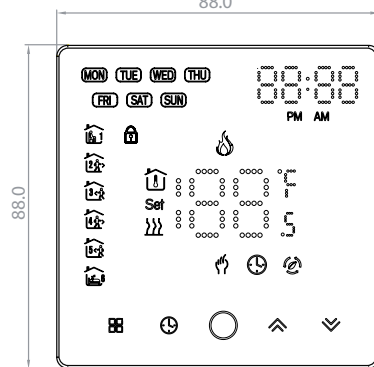


### TSH 002 24V

ID: 06038402



88.0



# 8

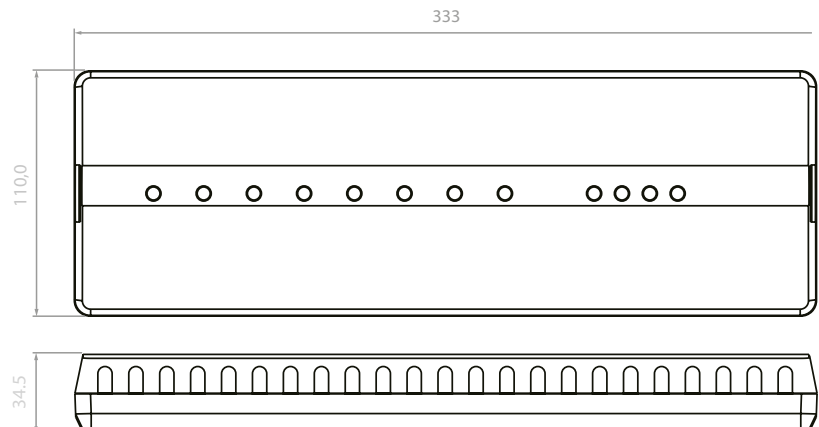
## Control panel

designed for controlling surface heating (8 zones). It allows convenient connection of wired temperature controllers and actuators. It features a built-in control module for the heating device and the circulating pump. The wiring rail regulates room temperature by closing or opening the flow through the heating loops using the thermal actuators connected to the rail and mounted on the manifold.

Power supply:	24V ~ 50/60Hz
Max. load:	9(1)A
Outputs:	pump 24V (max. 10A) boiler 24V (max. 5A) actuators 24V (max. 5A)
Net weight:	750g
Delay function:	0~30~60~120~180s (pump and boiler)

## TSH L801 24V

ID: 06038434



User Manual



[tweetop.com/TSH801\\_24V](http://tweetop.com/TSH801_24V)

## 9. ZIGBEE SYSTEM

9

# Radiator thermostat

is used to control and regulate the temperature in rooms heated by radiators of any type. Thanks to the built-in weekly schedule, we can precisely control the desired temperature throughout the day as well as on different days of the week. The head can operate independently or together with a thermostat. We can also control the temperature via the app when using the TSH B100 ZIGBEE internet gateway. The head is equipped with adapters compatible with every type of thermostatic insert.

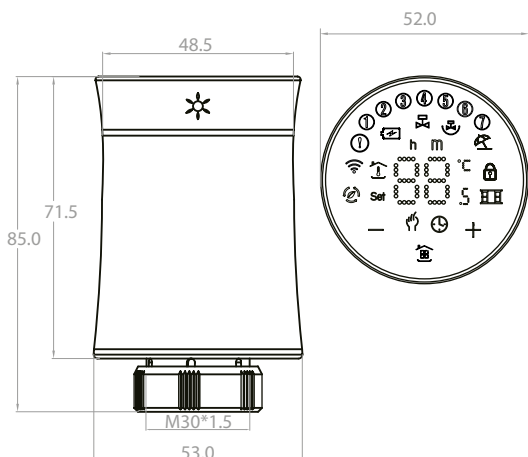
ID: 06038442

ID: 06038443

ID: 06038441



## TSH G400 ZIGBEE



Power supply: 3V, 2 × AA (batteries)  
Max. stroke: 4,5mm  
Accuracy: ±0,5°C  
Protection clas: IP20  
Temperature setting range: 5 - 45°C  
Temperature display range: 0 - 70°C  
Temperature display error: <1%  
Buttons: Touch

User Manual



[tweetop.com/TSHG400ZIGBEE](https://tweetop.com/TSHG400ZIGBEE)

# 9

Search for "Smartlife" in the Apple Store or Google Play and complete the account registration and installation according to the instructions in the app.



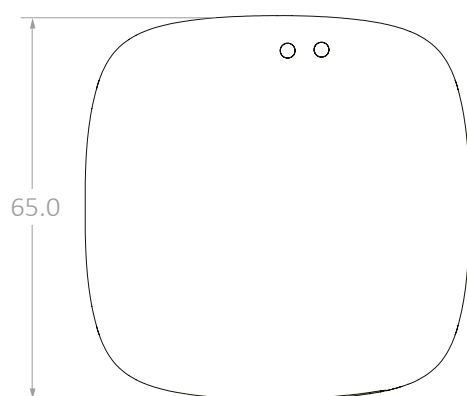
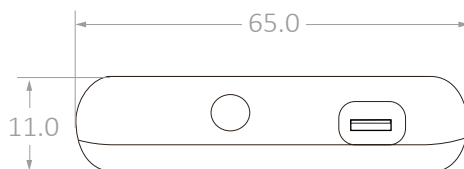
## Smart gateway

is the main component required to build a smart home system based on devices that communicate using the ZigBee data transmission protocol. The gateway collects data from all sensors, controllers, actuators or other system components connected to it. It is also responsible for maintaining the stability of rules and scenarios within the ZigBee network, even when there is temporarily no internet access. Therefore, these systems are recommended when reliability is crucial and you want to be sure that the controller, relay or opening sensor will continue to operate even when there is no internet access. The universal gateway connects to the network (router) via 2.4 GHz WiFi. It works with the Tuya Smartlife app, where it is possible to link ZigBee devices with WiFi devices compatible with the application and to create mutual scenarios.

ID: 06038449



## TSH B100 ZIGBEE



User Manual



[tweeetop.com/TSHB100ZIGBEE](http://tweeetop.com/TSHB100ZIGBEE)

# 10. BOILER/PUMP CONTROL

WIRED, WALL-MOUNTED CONTROL

# 10

## Thermostat

TSH 100 is a wired room thermostat with battery power supply. It can be connected to an underfloor heating wiring rail as well as directly to a heat source, such as a gas boiler. This thermostat allows us to control electric, gas and water heating, as well as the circulating pump of an underfloor heating system. It features a built-in floor or radiator heating algorithm. The TSH 100 ZIGBEE version additionally allows temperature control via the app when using the TSH B100 ZIGBEE internet gateway, or control of multiple TSH G400 radiator thermostats in the wireless version.

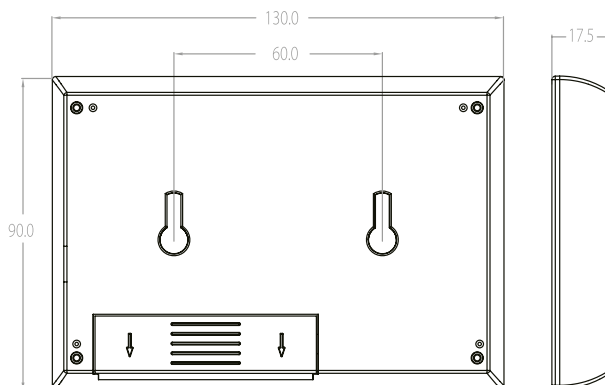
ID: 06038451



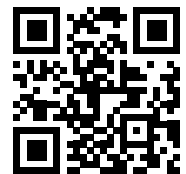
ID: 06038452



## TSH 100



User Manual



[tweetop.com/TSH100](https://tweetop.com/TSH100)

# 10

Search for "Smartlife" in the Apple Store or Google Play and complete the account registration and installation according to the instructions in the app.



Power supply:	2 × AA (batteries)/USB
Power consumption:	<1,5W
Temperature setting accuracy:	±0.5°C
Protection class:	IP20
Temperature reading error:	<1%
Operating/temperature range:	0 - 45°C
Relative humidity:	5 - 95% (non-condensing)
Material:	PC + ABS (fireproof)

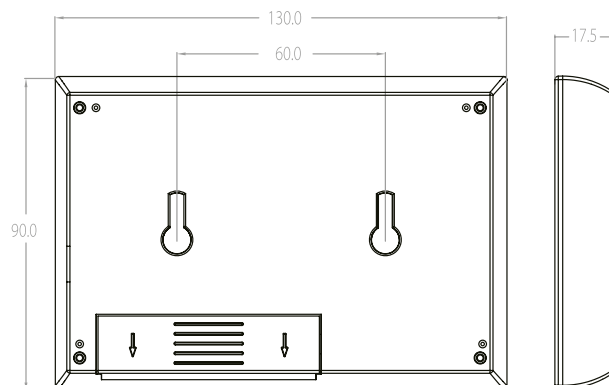


ID: 06038454



## TSH 100 ZIGBEE

ID: 06038453



User Manual



[tweetop.com/TSH100ZIGBEE](http://tweetop.com/TSH100ZIGBEE)

# Thermostats

surface-mounted units, TSH 005 and TSH 005 ZIGBEE, are designed to control the temperature of an individual heating zone in water-based surface heating systems or for direct connection to a heating device. The TSH 100 ZIGBEE version additionally allows temperature control via the app when using the TSH B100 ZIGBEE internet gateway, or control of multiple TSH G400 radiator thermostats in the wireless version.

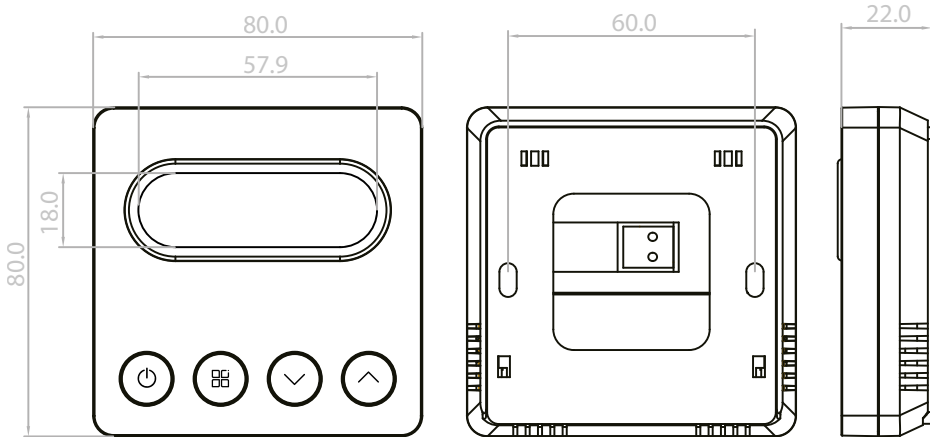
ID: 06038481



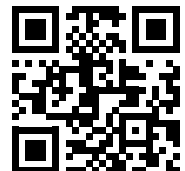
ID: 06038482



## TSH 005



User Manual



[tweeetop.com/TSH005](https://tweeetop.com/TSH005)

Search for "Smartlife" in the Apple Store or Google Play and complete the account registration and installation according to the instructions in the app.



Max. medium temperature (continuous):	45°C
Power supply:	2 × AA (batteries)
Power consumption:	<1,5W
Protection class:	IP20
Temperature range:	5 - 45°C
Accuracy:	±0,5°C
Relay type:	voltage-free

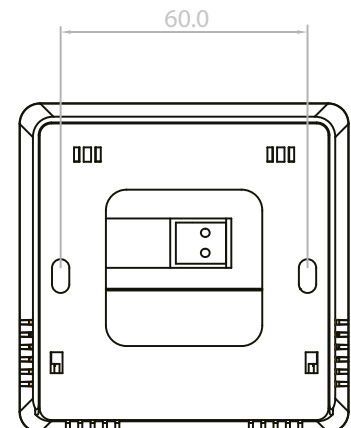
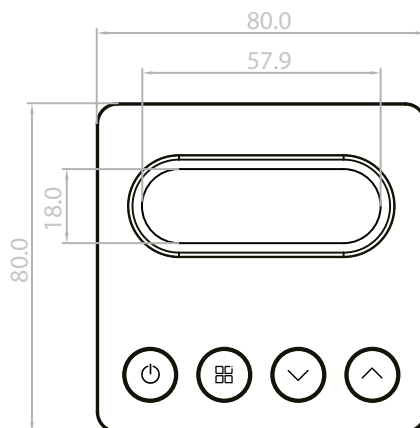
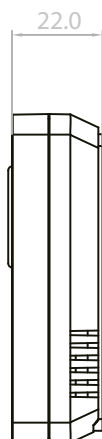


ID: 06038483

ID: 06038484



## TSH 005 ZIGBEE



User Manual



[tweeetop.com/TSH005ZIGBEE](http://tweeetop.com/TSH005ZIGBEE)

WIRELESS AND  
WIRELESS CONTROL with WiFi

10

# Thermostats

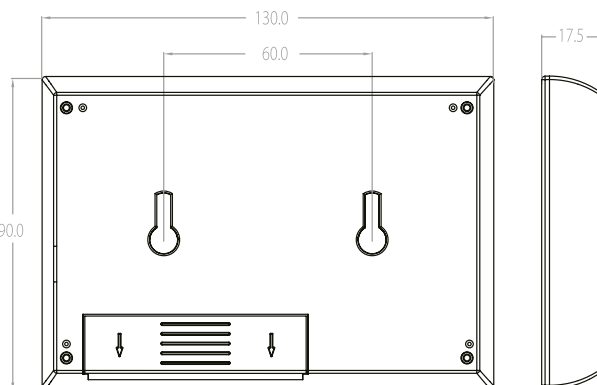
TSH 100 RF and TSH 100 RF WIFI are wireless room thermostats with battery power supply, capable of being connected directly to a heat source such as a gas or electric boiler. This thermostat allows us to control the heating pump. It features a built-in floor or radiator heating algorithm. The TSH 100 RF WIFI version additionally allows temperature control via the app without the use of additional devices.

ID: 06038455



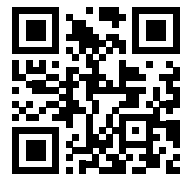
ID: 06038456

## TSH 100 RF



DISPLAY PANEL

User Manual



[tweetop.com/TSH100RF](http://tweetop.com/TSH100RF)

# 10

Search for "Smartlife" in the Apple Store or Google Play and complete the account registration and installation according to the instructions in the app.



## RECEIVER

Power supply: 95 - 240V  
 Accuracy:  $\pm 0,5^{\circ}\text{C}$   
 Protection class: IP20  
 Max. load: 5A (water heating/water boiler/  
 gas boiler -battery-powered)  
 Type of system: wall-mounted

## DISPLAY PANEL

Power supply: 2 x AA (batteries)/USB  
 Energy consumption: <1,5W  
 Temperature reading error: <1%  
 Operating/temperature range: 0 - 45°C  
 Relative humidity: 5 - 95% (non-condensing)  
 Material: PC + ABS (fireproof)



ID: 06038458

# TSH 100 RF WIFI

ID: 06038457

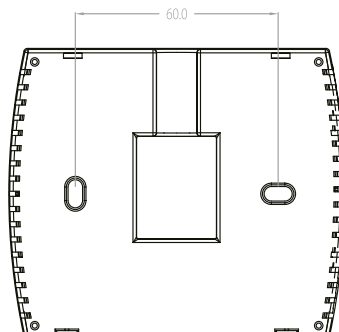
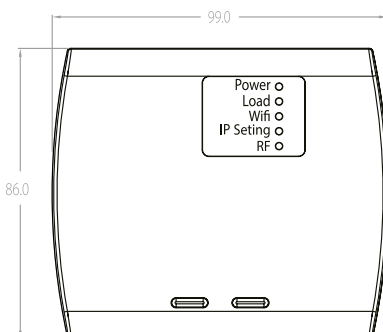
User Manual



[tweetop.com/TSH100RFWIFI](http://tweetop.com/TSH100RFWIFI)



RECEIVER



## ACCESSORIES

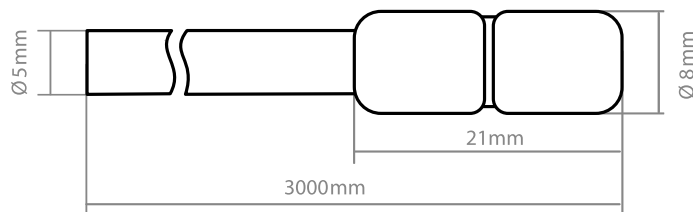
# Temperature sensor

the external, floor-mounted temperature sensor protects the floor from overheating or overcooling (underfloor heating). It is suitable for installation in the floor screed. The TSH NTC10K sensor can also measure air temperature or the temperature of other locations or devices. Compatible with temperature controllers: TSH 001, TSH 002, TSH 003.

Measuring range: od -10° do 100°C  
Measuring element: NTC 10kOhm  
Cable length: 3m  
Cable cross-section: 2 × 0,5mm<sup>2</sup>

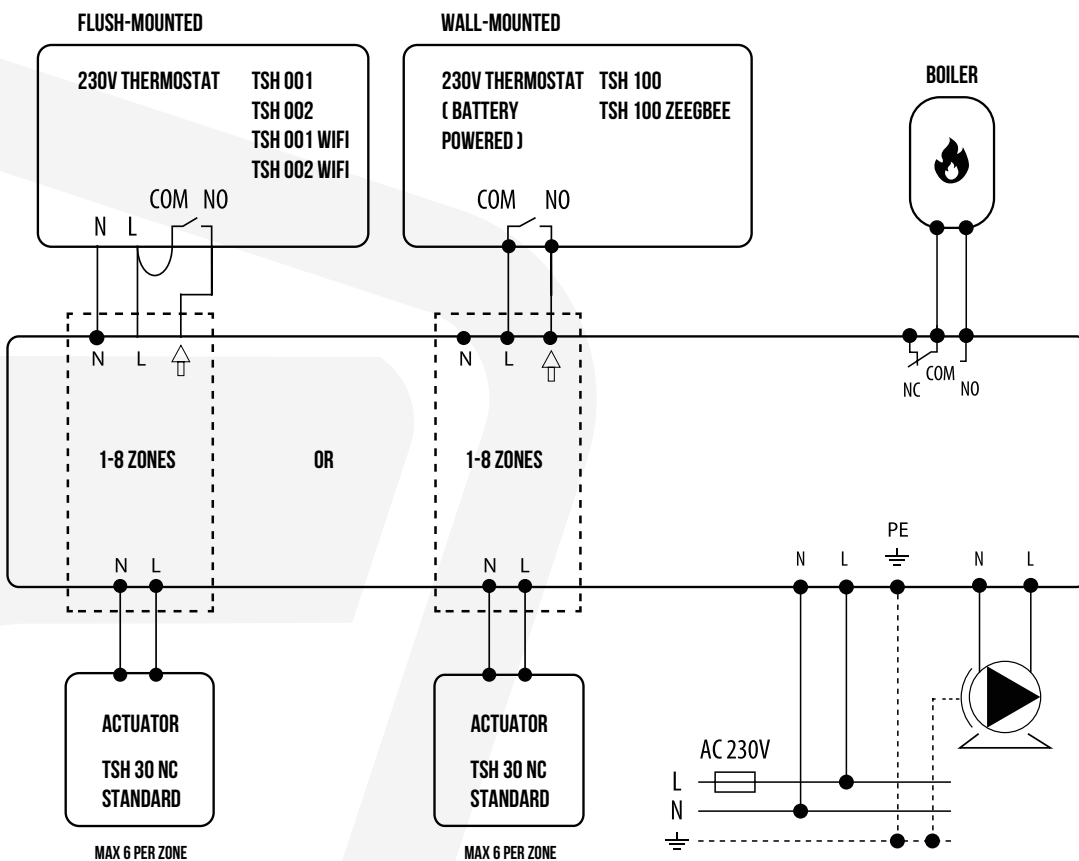


## TSH NTC10K

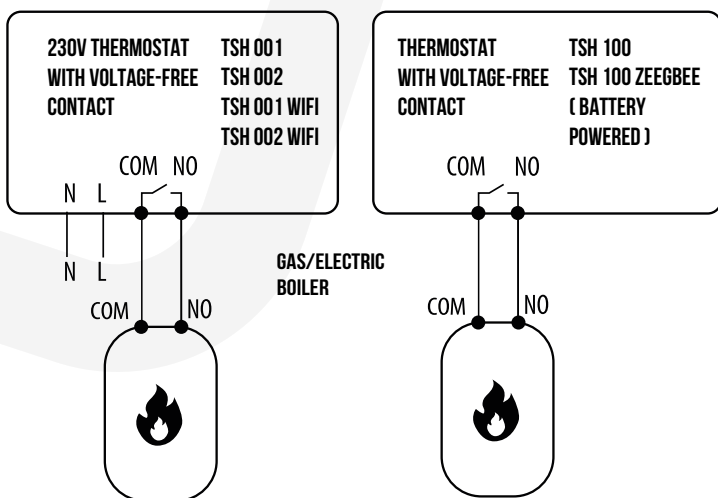


# 11. CONNECTION DIAGRAMS

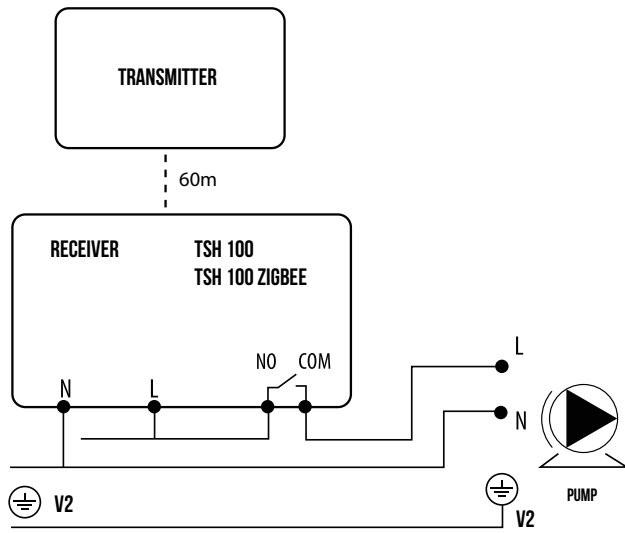
Connection diagram for a thermostats with a control panel



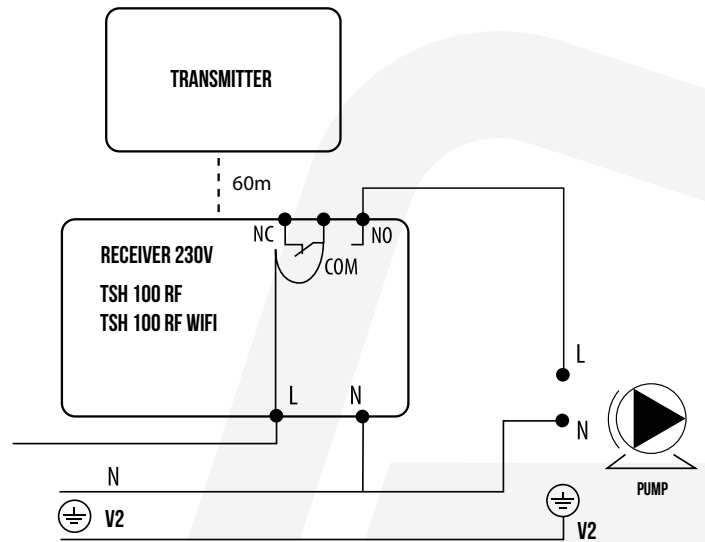
Connection diagram for a thermostats with a boiler



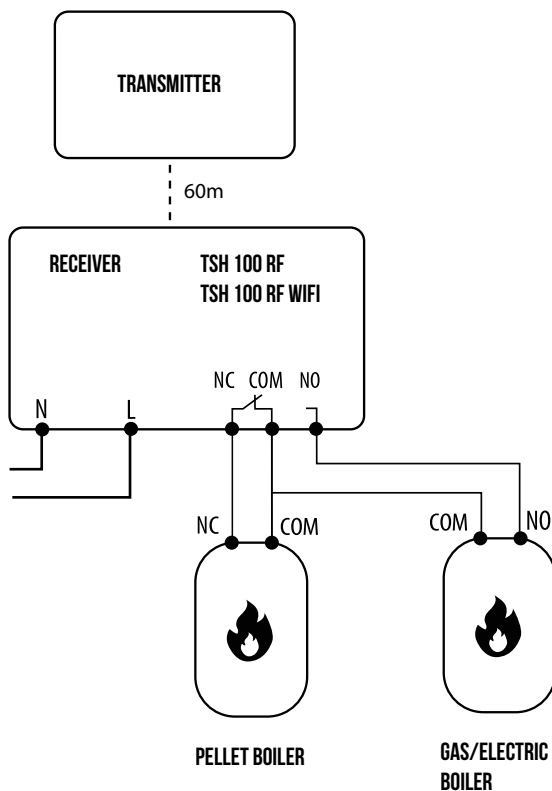
Connection diagram for a thermostat with a pump



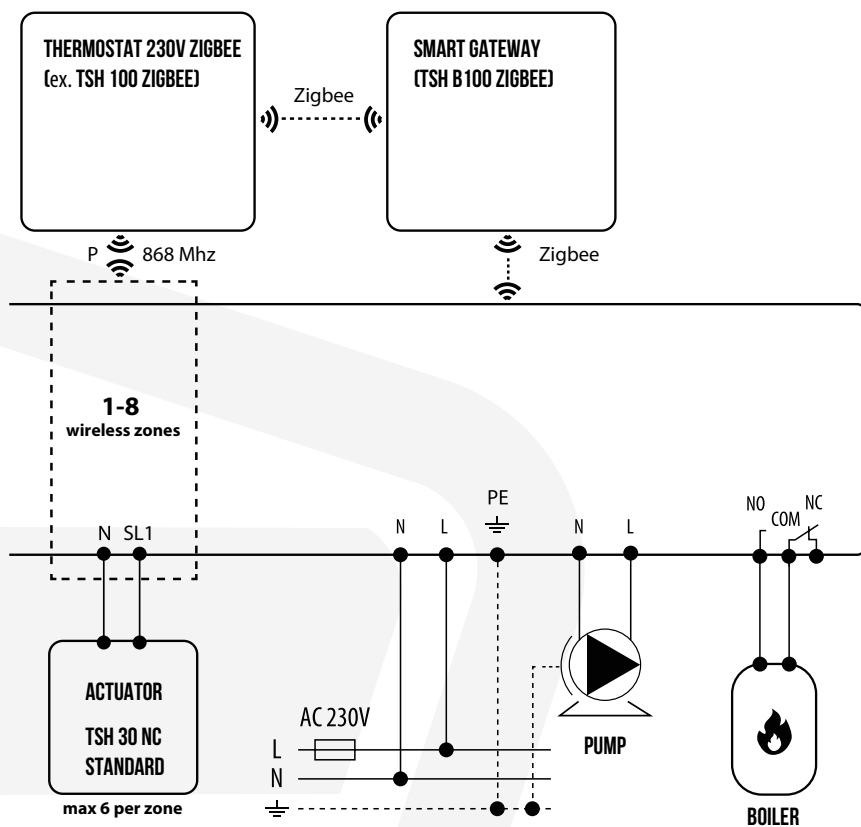
Connection diagram for an RF thermostat with a pump



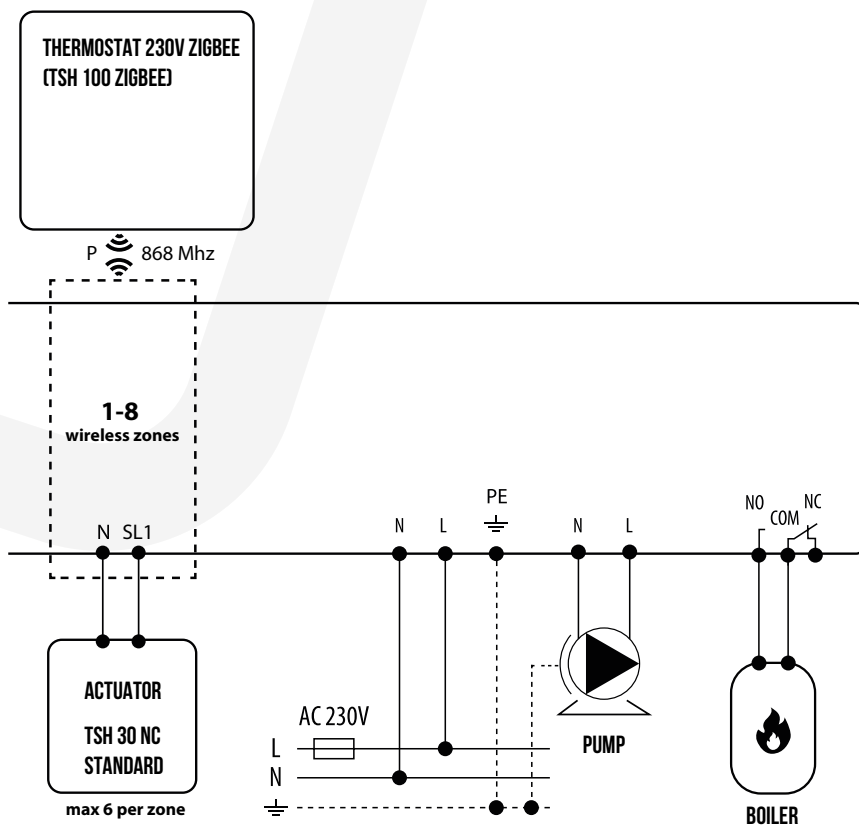
Connection diagram for an RF thermostat with a boiler



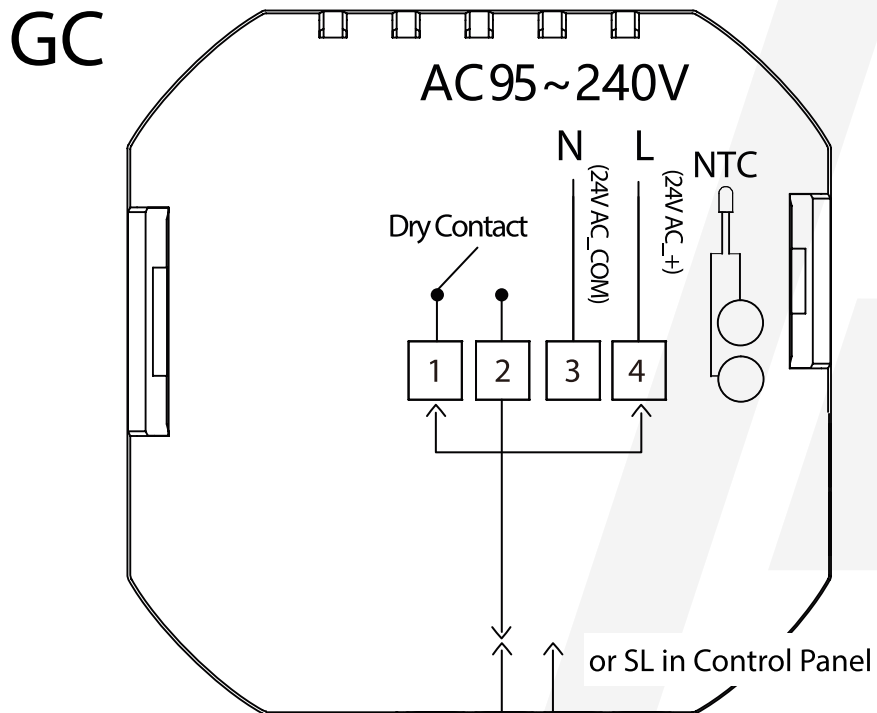
Connection diagram for a wireless thermostat with a smart gateway and a control panel



Connection diagram for a wireless thermostat with a control panel



Connection diagram for a thermostat (TSH 001, TSH 002, TSH 003) with a control panel or voltage output



GC - water-gas boiler, 5A (voltage-free contact)

L - phase power supply



N - neutral wire

NTC - possibility of connecting a floor sensor




Dry Contact - voltage-free contact 5A (with the possibility of passing 230V)



## 12. EU DECLARATIONS OF CONFORMITY

### Regulator temperatury

	<b>DEKLARACJA ZGODNOŚCI UE</b> <i>EU Declaration of Conformity</i> <b>Nr 001/2025</b>	
---	---	---

Szczecin, dnia 30.04.2025 r.

<b>1</b>	Nazwa urządzenia / produktu : <i>Equipment / product name:</i> <b>Regulator temperatury / Thermostat</b> Seria / Series: TSH 001, TSH 002, TSH 100 Model / Model no.: TSH 001 W, TSH 001 WIFI W, TSH 001 B, TSH 001 WIFI B, TSH 002 W, TSH 002 WIFI W, TSH 002 B, TSH 002 WIFI B, TSH 100 W, TSH 100 ZIGBEE W, TSH 100 B, TSH 100 ZIGBEE B, TSH 100 RF WIFI W, TSH 100 RF W, TSH 100 RF B, TSH 100 RF WIFI B		
<b>2</b>	Nazwa i adres producenta: <i>Name and address of the manufacturer:</i> TWEETOP Sp. z o.o. Ludowa 24 C 71-700 Szczecin Polska / Poland		
<b>3</b>	Niniejsza deklaracja zgodności wydana zostaje na wyłączną odpowiedzialność producenta <i>This declaration of conformity is issued under the sole responsibility of the manufacturer</i>		
<b>4</b>	Wymieniony powyżej przedmiot niniejszej deklaracji zgodności UE/WE jest zgodny z odnośnymi wymaganiami unijnego prawodawstwa harmonizacyjnego: <i>The object of the declaration described above is in conformity with relevant Union harmonization legislation:</i> <b>2014/53/UE</b> Dyrektywa Parlamentu Europejskiego i Rady 2014/53/UE z dnia 16 kwietnia 2014 r. w sprawie harmonizacji ustawodawstw państw członkowskich dotyczących udostępniania na rynku urządzeń radiowych i uchylająca dyrektywę 1999/5/WE / <i>Directive 2014/53/EU of The European Parliament and Of The Council of 16 April 2014 on the harmonisation of the laws of the Member States relating to the making available on the market of radio equipment and repealing Directive 1999/5/EC</i> <b>2014/35/UE</b> Dyrektywa Parlamentu Europejskiego i Rady 2014/35/UE z dnia 26 lutego 2014 r. w sprawie harmonizacji ustawodawstw państw członkowskich odnoszących się do udostępniania na rynku sprzętu elektrycznego przewidzianego do stosowania w określonych granicach napięcia / <i>Directive 2014/35/EU of the European Parliament and of the council of 26 February 2014 on the harmonisation of the laws of the Member States relating to the making available on the market of electrical equipment designed for use within certain voltage limits</i> <b>2014/30/UE</b> Dyrektywa Parlamentu Europejskiego i Rady 2014/30/UE z dnia 26 lutego 2014 r. w sprawie harmonizacji ustawodawstw państw członkowskich odnoszących się do kompatybilności elektromagnetycznej / <i>Directive 2014/30/EU of the European Parliament and of th Council of 26 February 2014 on the harmonisation of the laws of the Member States relating to electromagnetic compatibility</i>		
<b>5</b>	Odwołania do odnośnych norm zharmonizowanych, które zastosowano, wraz z datą normy, lub do innych specyfikacji technicznych, wraz z datą specyfikacji, w odniesieniu do których deklarowana jest zgodność: <i>References to the relevant harmonised standards used, including the date of the standard or references to the other technical specifications, including the date of the specification, in relations to which conformity is declared:</i> ETSI EN 301 489-1 V2.2.3.(2019-11) ; ETSI EN 301 489-17 V3.2.4 (2020-09) ; ETSI EN 300 328 V2.2 (2019-07) ; EN 60730-1:2016+A1:2019 ; EN 60730-1:2016+A2:2022 ; EN 60730-1:2016+A1:2019 ; EN IEC 60730-2-9:2019+A2:2020 ; EN IEC 60730-2-9:2019+A2:2020 ; EN IEC 62311:2020 ; EN IEC 60730-2-9:2019+A2:2020		
<b>6</b>	<table border="0" style="width: 100%;"> <tr> <td style="width: 50%;">           Sporządziła:  <i>Issued by:</i>            Natalia Margiel Dyr. Działu Jakości i Cert.  <i>Head of QC and Certification Dept</i>            (nazwisko / name) (stanowisko / function)         </td> <td style="width: 50%;">           W imieniu producenta podpisał:  <i>Signed for and on behalf of:</i>            Krzysztof Bilbin, Członek Zarządu  <i>Member of the Board</i>            (nazwisko / name) (stanowisko / function)           <div style="text-align: right;">               TWEETOP Sp. z o.o.              CZŁONEK ZARZĄDU              Krzysztof Bilbin           </div> </td> </tr> </table>	Sporządziła: <i>Issued by:</i> Natalia Margiel Dyr. Działu Jakości i Cert. <i>Head of QC and Certification Dept</i> (nazwisko / name) (stanowisko / function)	W imieniu producenta podpisał: <i>Signed for and on behalf of:</i> Krzysztof Bilbin, Członek Zarządu <i>Member of the Board</i> (nazwisko / name) (stanowisko / function) <div style="text-align: right;">               TWEETOP Sp. z o.o.              CZŁONEK ZARZĄDU              Krzysztof Bilbin           </div>
Sporządziła: <i>Issued by:</i> Natalia Margiel Dyr. Działu Jakości i Cert. <i>Head of QC and Certification Dept</i> (nazwisko / name) (stanowisko / function)	W imieniu producenta podpisał: <i>Signed for and on behalf of:</i> Krzysztof Bilbin, Członek Zarządu <i>Member of the Board</i> (nazwisko / name) (stanowisko / function) <div style="text-align: right;">               TWEETOP Sp. z o.o.              CZŁONEK ZARZĄDU              Krzysztof Bilbin           </div>		

	<b>DEKLARACJA ZGODNOŚCI UE</b> <i>EU Declaration of Conformity</i> <b>Nr 008/2025</b>	
---	---	---



Szczecin, dnia 19.11.2025 r.

<b>1</b>	<b>Nazwa urządzenia / produktu :</b> <i>Equipment / product name:</i> <b>Regulator temperatury / Thermostat</b> <b>Seria / Series:</b> TSH 001, TSH 002, TSH 100, TSH 003, TSH 004, TSH 005 <b>Model / Model no.:</b> TSH 001 W, TSH 001 WIFI W, TSH 001 B, TSH 001 WIFI B, TSH 002 W, TSH 002 WIFI W, TSH 002 B, TSH 002 WIFI B, TSH 100 W, TSH 100 ZIGBEE W, TSH 100 B, TSH 100 ZIGBEE B, TSH 100RF WIFI W, TSH 100 RF W, TSH 100 RF B, TSH 100RF WIFI B, TSH 001 MODBUS W, TSH 001 MODBUS B TSH 001 24V W, TSH 001 24V B, TSH 001 WIFI 24V W, TSH 001 WIFI 24V B, TSH 002 24V W, TSH 002 24V B, TSH 002 MODBUS W, TSH 002 MODBUS B, TSH 003 WI-FI W, TSH 003 WI-FI B, TSH 004 W, TSH 004 B, TSH 004 ZIGBEE W, TSH 004 ZIGBEE B, TSH 005 ZIGBEE W, TSH 005 ZIGBEE B, TSH 005 W, TSH 005 B
<b>2</b>	<b>Nazwa i adres producenta:</b> <i>Name and address of the manufacturer:</i> TWEETOP Sp. z o.o. Ludowa 24 C 71-700 Szczecin Polska / Poland
<b>3</b>	Niniejsza deklaracja zgodności wydana zostaje na wyłączną odpowiedzialność producenta <i>This declaration of conformity is issued under the sole responsibility of the manufacturer</i>
<b>4</b>	Wymieniony powyżej przedmiot niniejszej deklaracji zgodności UE/WE jest zgodny z odnośnymi wymaganiami unijnego prawodawstwa harmonizacyjnego: <i>The object of the declaration described above is in conformity with relevant Union harmonization legislation:</i> <b>2014/53/UE</b> Dyrektywa Parlamentu Europejskiego i Rady 2014/53/UE z dnia 16 kwietnia 2014 r. w sprawie harmonizacji ustawodawstw państw członkowskich dotyczących udostępniania na rynku urządzeń radiowych i uchylająca dyrektywę 1999/5/WE / <i>Directive 2014/53/EU of The European Parliament and Of The Council of 16 April 2014 on the harmonisation of the laws of the Member States relating to the making available on the market of radio equipment and repealing Directive 1999/5/EC</i> <b>2014/35/UE</b> Dyrektywa Parlamentu Europejskiego i Rady 2014/35/UE z dnia 26 lutego 2014 r. w sprawie harmonizacji ustawodawstw państw członkowskich odnoszących się do udostępniania na rynku sprzętu elektrycznego przewidzianego do stosowania w określonych granicach napięcia / <i>Directive 2014/35/EU of the European Parliament and of the council of 26 February 2014 on the harmonisation of the laws of the Member States relating to the making available on the market of electrical equipment designed for use within certain voltage limits</i> <b>2014/30/UE</b> Dyrektywa Parlamentu Europejskiego i Rady 2014/30/UE z dnia 26 lutego 2014 r. w sprawie harmonizacji ustawodawstw państw członkowskich odnoszących się do kompatybilności elektromagnetycznej / <i>Directive 2014/30/EU of the European Parliament and of th Council of 26 February 2014 on the harmonisation of the laws of the Member States relating to electromagnetic compatibility</i>
<b>5</b>	Odwolania do odnośnych norm zharmonizowanych, które zastosowano, wraz z datą normy, lub do innych specyfikacji technicznych, wraz z datą specyfikacji, w odniesieniu do których deklarowana jest zgodność: <i>References to the relevant harmonised standards used, including the date of the standard or references to the other technical specifications, including the date of the specification, in relations to which conformity is declared:</i> ETSI EN 301 489-1 V2.2.3.(2019-11) ; ETSI EN 301 489-17 V3.2.4 (2020-09) ; ETSI EN 300 328 V2.2 (2019-07) ; EN 60730-1:2016+A1:2019 ; EN 60730-1:2016+A2:2022 ; EN 60730-1:2016+A1:2019 ; EN IEC 60730-2-9:2019+A2:2020 ; EN IEC 60730-2-9:2019+A2:2020 ; EN IEC 62311:2020 ; EN IEC 60730-2-9:2019+A2:2020


<b>6</b>	<b>Sporządziła:</b> <i>Issued by:</i> Natalia Margiel Dyr. Działu Jakości i Cert. <i>Head of QC and Certification Dept</i> (nazwisko / name) (stanowisko / function)	<b>W imieniu producenta podpisał:</b> <i>Signed for and on behalf of:</i> Krzysztof Bilbin, Członek Zarządu <i>Member of the Board</i> (nazwisko / name) (stanowisko / function)
----------	--	--





## Głowica termostatyczna

	DEKLARACJA ZGODNOŚCI UE EU Declaration of Conformity Nr 002/2025	
---	--	---

Szczecin, dnia 30.04.2025 r.


1	Nazwa urządzenia / produktu : <i>Equipment / product name:</i>
Głowica termostatyczna / Radiator thermostat Seria / Series: TSH G400 Model / Model no.: TSH G400 ZIGBEE W, TSH G400 ZIGBEE B, TSH G400 ZIGBEE G	
2	Nazwa i adres producenta: <i>Name and address of the manufacturer:</i>
TWEETOP Sp. z o.o. Ludowa 24 C 71-700 Szczecin Polska / Poland	
3	Niniejsza deklaracja zgodności wydana zostaje na wyłączną odpowiedzialność producenta <i>This declaration of conformity is issued under the sole responsibility of the manufacturer</i>
4	Wymieniony powyżej przedmiot niniejszej deklaracji zgodności UE/WE jest zgodny z odnośnymi wymaganiami unijnego prawodawstwa harmonizacyjnego: <i>The object of the declaration described above is in conformity with relevant Union harmonization legislation:</i>
<p><b>2014/53/UE</b> Dyrektywa Parlamentu Europejskiego i Rady 2014/53/UE z dnia 16 kwietnia 2014 r. w sprawie harmonizacji ustawodawstw państw członkowskich dotyczących udostępniania na rynku urządzeń radiowych i uchylająca dyrektywę 1999/5/WE / <i>Directive 2014/53/EU of The European Parliament and Of The Council of 16 April 2014 on the harmonisation of the laws of the Member States relating to the making available on the market of radio equipment and repealing Directive 1999/5/EC</i></p> <p><b>2014/35/UE</b> Dyrektywa Parlamentu Europejskiego i Rady 2014/35/UE z dnia 26 lutego 2014 r. w sprawie harmonizacji ustawodawstw państw członkowskich odnoszących się do udostępniania na rynku sprzętu elektrycznego przewidzianego do stosowania w określonych granicach napięcia / <i>Directive 2014/35/EU of the European Parliament and of the council of 26 February 2014 on the harmonisation of the laws of the Member States relating to the making available on the market of electrical equipment designed for use within certain voltage limits</i></p> <p><b>2014/30/UE</b> Dyrektywa Parlamentu Europejskiego i Rady 2014/30/UE z dnia 26 lutego 2014 r. w sprawie harmonizacji ustawodawstw państw członkowskich odnoszących się do kompatybilności elektromagnetycznej / <i>Directive 2014/30/EU of the European Parliament and of th Council of 26 February 2014 on the harmonisation of the laws of the Member States relating to electromagnetic compatibility</i></p>	
5	Odwolań do odnośnych norm zharmonizowanych, które zastosowano, wraz z datą normy, lub do innych specyfikacji technicznych, wraz z datą specyfikacji, w odniesieniu do których deklarowana jest zgodność: <i>References to the relevant harmonised standards used, including the date of the standard or references to the other technical specifications, including the date of the specification, in relations to which conformity is declared:</i>
<p>ETSI EN 301 489-1 V2.2.3.(2019-11) ; ETSI EN 301 489-17 V3.2.4 (2020-09) ; ETSI EN 300 328 V2.2 (2019-07) ; EN 60730-1:2016+A1:2019 ; EN 60730-1:2016+A2:2022 ; EN 60730-1:2016+A1:2019 ; EN IEC 60730-2-9:2019+A2:2020 ; EN IEC 60730-2-9:2019+A2:2020 ; EN IEC 62311:2020 ; EN IEC 60730-2-9:2019+A2:2020</p>	
6	Sporządziła: <i>Issued by:</i>
W imieniu producenta podpisał: <i>Signed for and on behalf of:</i>	
Natalia Margiel Dyr. Działu Jakości i Cert. <i>Head of QC and Certification Dept</i> (nazwisko / name) (stanowisko / function)	Krzysztof Bilbin, Członek Zarządu <i>Member of the Board</i> (nazwisko / name) (stanowisko / function)
	

## Inteligentna bramka



	<b>DEKLARACJA ZGODNOŚCI UE</b> <i>EU Declaration of Conformity</i> <b>Nr 003/2025</b>	
---	---	---

Szczecin, dnia 30.04.2025 r.

<b>1</b>	<b>Nazwa urządzenia / produktu :</b> <i>Equipment / product name:</i> <b>Inteligentna bramka / Wireless smart gateway</b> <b>Seria / Series: TSH B100</b> <b>Model / Model no.: TSH B100</b>
<b>2</b>	<b>Nazwa i adres producenta:</b> <i>Name and address of the manufacturer:</i> TWEETOP Sp. z o.o. Ludowa 24 C 71-700 Szczecin Polska / Poland
<b>3</b>	<b>Niniejsza deklaracja zgodności wydana zostaje na wyłączną odpowiedzialność producenta</b> <i>This declaration of conformity is issued under the sole responsibility of the manufacturer</i>
<b>4</b>	<b>Wymieniony powyżej przedmiot niniejszej deklaracji zgodności UE/WE jest zgodny z odnośnymi wymaganiami unijnego prawodawstwa harmonizacyjnego:</b> <i>The object of the declaration described above is in conformity with relevant Union harmonization legislation:</i> <b>2014/53/UE</b> Dyrektywa Parlamentu Europejskiego i Rady 2014/53/UE z dnia 16 kwietnia 2014 r. w sprawie harmonizacji ustawodawstw państw członkowskich dotyczących udostępniania na rynku urządzeń radiowych i uchylająca dyrektywę 1999/5/WE / <i>Directive 2014/53/EU of The European Parliament and Of The Council of 16 April 2014 on the harmonisation of the laws of the Member States relating to the making available on the market of radio equipment and repealing Directive 1999/5/EC</i> <b>2014/35/UE</b> Dyrektywa Parlamentu Europejskiego i Rady 2014/35/UE z dnia 26 lutego 2014 r. w sprawie harmonizacji ustawodawstw państw członkowskich odnoszących się do udostępniania na rynku sprzętu elektrycznego przewidzianego do stosowania w określonych granicach napięcia / <i>Directive 2014/35/EU of the European Parliament and of the council of 26 February 2014 on the harmonisation of the laws of the Member States relating to the making available on the market of electrical equipment designed for use within certain voltage limits</i> <b>2014/30/UE</b> Dyrektywa Parlamentu Europejskiego i Rady 2014/30/UE z dnia 26 lutego 2014 r. w sprawie harmonizacji ustawodawstw państw członkowskich odnoszących się do kompatybilności elektromagnetycznej / <i>Directive 2014/30/EU of the European Parliament and of th Council of 26 February 2014 on the harmonisation of the laws of the Member States relating to electromagnetic compatibility</i>
<b>5</b>	<b>Odwolania do odnośnych norm zharmonizowanych, które zastosowano, wraz z datą normy, lub do innych specyfikacji technicznych, wraz z datą specyfikacji, w odniesieniu do których deklarowana jest zgodność:</b> <i>References to the relevant harmonised standards used, including the date of the standard or references to the other technical specifications, including the date of the specification, in relations to which conformity is declared:</i> ETSI EN 301 489-1 V2.2.3.(2019-11) ; ETSI EN 301 489-17 V3.2.4 (2020-09) ; ETSI EN 300 328 V2.2 (2019-07) ; EN 60730-1:2016+A1:2019 ; EN 60730-1:2016+A2:2022 ; EN 60730-1:2016+A1:2019 ; EN IEC 60730-2-9:2019+A2:2020 ; EN IEC 60730-2-9:2019+A2:2020 ; EN IEC 62311:2020 ; EN IEC 60730-2-9:2019+A2:2020

<b>6</b>	<b>Sporządziła:</b> <i>Issued by:</i> Natalia Margiel Dyr. Działu Jakości i Cert. <i>Head of QC and Certification Dept</i> (nazwisko / name) (stanowisko / function)	<b>W imieniu producenta podpisał:</b> <i>Signed for and on behalf of:</i> Krzysztof Bilbin, Członek Zarządu <i>Member of the Board</i> (nazwisko / name) (stanowisko / function)	
----------	--	--	---



## Listwa podłączeniowa

	DEKLARACJA ZGODNOŚCI UE <i>EU Declaration of Conformity</i> <b>Nr 004/2025</b>	
---	--	---

Szczecin, dnia 30.04.2025 r.

<b>1</b>	Nazwa urządzenia / produktu : <i>Equipment / product name:</i>
Listwa podłączeniowa / <i>Intelligent central linkage controller</i> Seria / <i>Series</i> : TSH L800 Model / <i>Model no.</i> : TSH L800, TSH L801	
<b>2</b>	Nazwa i adres producenta: <i>Name and address of the manufacturer:</i>
TWEETOP Sp. z o.o. Ludowa 24 C 71-700 Szczecin Polska / <i>Poland</i>	
<b>3</b>	Niniejsza deklaracja zgodności wydana zostaje na wyłączną odpowiedzialność producenta <i>This declaration of conformity is issued under the sole responsibility of the manufacturer</i>
<b>4</b>	Wymieniony powyżej przedmiot niniejszej deklaracji zgodności UE/WE jest zgodny z odnośnymi wymaganiami unijnego prawodawstwa harmonizacyjnego: <i>The object of the declaration described above is in conformity with relevant Union harmonization legislation:</i>
<b>2014/53/UE</b> Dyrektywa Parlamentu Europejskiego i Rady 2014/53/UE z dnia 16 kwietnia 2014 r. w sprawie harmonizacji ustawodawstw państw członkowskich dotyczących udostępniania na rynku urządzeń radiowych i uchylająca dyrektywę 1999/5/WE / <i>Directive 2014/53/EU of The European Parliament and Of The Council of 16 April 2014 on the harmonisation of the laws of the Member States relating to the making available on the market of radio equipment and repealing Directive 1999/5/EC</i>	
<b>2014/35/UE</b> Dyrektywa Parlamentu Europejskiego i Rady 2014/35/UE z dnia 26 lutego 2014 r. w sprawie harmonizacji ustawodawstw państw członkowskich odnoszących się do udostępniania na rynku sprzętu elektrycznego przewidzianego do stosowania w określonych granicach napięcia / <i>Directive 2014/35/EU of the European Parliament and of the council of 26 February 2014 on the harmonisation of the laws of the Member States relating to the making available on the market of electrical equipment designed for use within certain voltage limits</i>	
<b>2014/30/UE</b> Dyrektywa Parlamentu Europejskiego i Rady 2014/30/UE z dnia 26 lutego 2014 r. w sprawie harmonizacji ustawodawstw państw członkowskich odnoszących się do kompatybilności elektromagnetycznej / <i>Directive 2014/30/EU of the European Parliament and of th Council of 26 February 2014 on the harmonisation of the laws of the Member States relating to electromagnetic compatibility</i>	
<b>5</b>	Odwołania do odnośnych norm zharmonizowanych, które zastosowano, wraz z datą normy, lub do innych specyfikacji technicznych, wraz z datą specyfikacji, w odniesieniu do których deklarowana jest zgodność: <i>References to the relevant harmonised standards used, including the date of the standard or references to the other technical specifications, including the date of the specification, in relations to which conformity is declared:</i>
ETSI EN 301 489-1 V2.2.3.(2019-11) ; ETSI EN 301 489-17 V3.2.4 (2020-09) ; ETSI EN 300 328 V2.2 (2019-07) ; EN 60730-1:2016+A1:2019 ; EN 60730-1:2016+A2:2022 ; EN 60730-1:2016+A1:2019 ; EN IEC 60730-2-9:2019+A2:2020 ; EN IEC 60730-2-9:2019+A2:2020 ; EN IEC 62311:2020 ; EN IEC 60730-2-9:2019+A2:2020	

<b>6</b>	Sporządziła: <i>Issued by:</i>	W imieniu producenta podpisał: <i>Signed for and on behalf of:</i>
Natalia Margiel Dyr. Działu Jakości i Cert. <i>Head of QC and Certification Dept</i> (nazwisko / <i>name</i> ) (stanowisko / <i>function</i> )		Krzysztof Bilbin, Członek Zarządu <i>Member of the Board</i> (nazwisko / <i>name</i> ) (stanowisko / <i>function</i> ) 

	<b>DEKLARACJA ZGODNOŚCI UE</b> <i>EU Declaration of Conformity</i> <b>Nr 009/2025</b>	
---	---	---



Szczecin, dnia 01.12.2025 r.

<b>1</b>	Nazwa urządzenia / produktu : <i>Equipment / product name:</i>
<b>Listwa podłączeniowa / Intelligent central linkage controller</b> <b>Seria / Series: TSH L800</b> <b>Model / Model no.: TSH L800, TSH L801, TSH L801 24V</b>	
<b>2</b>	Nazwa i adres producenta: <i>Name and address of the manufacturer:</i>
TWEETOP Sp. z o.o. Ludowa 24 C 71-700 Szczecin Polska / Poland	
<b>3</b>	Niniejsza deklaracja zgodności wydana zostaje na wyłączną odpowiedzialność producenta <i>This declaration of conformity is issued under the sole responsibility of the manufacturer</i>
<b>4</b>	Wymieniony powyżej przedmiot niniejszej deklaracji zgodności UE/WE jest zgodny z odnośnymi wymaganiami unijnego prawodawstwa harmonizacyjnego: <i>The object of the declaration described above is in conformity with relevant Union harmonization legislation:</i>
<p><b>2014/53/UE</b> Dyrektywa Parlamentu Europejskiego i Rady 2014/53/UE z dnia 16 kwietnia 2014 r. w sprawie harmonizacji ustawodawstw państw członkowskich dotyczących udostępniania na rynku urządzeń radiowych i uchylająca dyrektywę 1999/5/WE / <i>Directive 2014/53/EU of The European Parliament and Of The Council of 16 April 2014 on the harmonisation of the laws of the Member States relating to the making available on the market of radio equipment and repealing Directive 1999/5/EC</i></p> <p><b>2014/35/UE</b> Dyrektywa Parlamentu Europejskiego i Rady 2014/35/UE z dnia 26 lutego 2014 r. w sprawie harmonizacji ustawodawstw państw członkowskich odnoszących się do udostępniania na rynku sprzętu elektrycznego przewidzianego do stosowania w określonych granicach napięcia / <i>Directive 2014/35/EU of the European Parliament and of the council of 26 February 2014 on the harmonisation of the laws of the Member States relating to the making available on the market of electrical equipment designed for use within certain voltage limits</i></p> <p><b>2014/30/UE</b> Dyrektywa Parlamentu Europejskiego i Rady 2014/30/UE z dnia 26 lutego 2014 r. w sprawie harmonizacji ustawodawstw państw członkowskich odnoszących się do kompatybilności elektromagnetycznej / <i>Directive 2014/30/EU of the European Parliament and of th Council of 26 February 2014 on the harmonisation of the laws of the Member States relating to electromagnetic compatibility</i></p>	
<b>5</b>	Odwołania do odnośnych norm zharmonizowanych, które zastosowano, wraz z datą normy, lub do innych specyfikacji technicznych, wraz z datą specyfikacji, w odniesieniu do których deklarowana jest zgodność: <i>References to the relevant harmonised standards used, including the date of the standard or references to the other technical specifications, including the date of the specification, in relations to which conformity is declared:</i>
ETSI EN 301 489-1 V2.2.3.(2019-11) ; ETSI EN 301 489-17 V3.2.4 (2020-09) ; ETSI EN 300 328 V2.2 (2019-07) ; EN 60730-1:2016+A1:2019 ; EN 60730-1:2016+A2:2022 ; EN 60730-1:2016+A1:2019 ; EN 60730-2-9:2019+A2:2020 ; EN IEC 60730-2-9:2019+A2:2020 ; EN IEC 62311:2020 ; EN IEC 60730-2-9:2019+A2:2020	

<b>6</b>	Sporządziła: <i>Issued by:</i>	W imieniu producenta podpisał: <i>Signed for and on behalf of:</i>
Natalia Margiel Dyr. Działu Jakości i Cert. <i>Head of QC and Certification Dept</i> (nazwisko / name) (stanowisko / function)		Krzysztof Bilbin, Członek Zarządu <i>Member of the Board</i> (nazwisko / name) (stanowisko / function)



## Siłownik termiczny

	DEKLARACJA ZGODNOŚCI UE <i>EU Declaration of Conformity</i> <b>Nr 007/2025</b>	
---	--	---

Szczecin, dnia 30.04.2025 r.

<b>1</b>	Nazwa urządzenia / produktu : <i>Equipment / product name:</i>
Siłownik termiczny / <i>Thermal actuator</i> Seria / <i>Series:</i> TSH 30 NC, TSH BASIC Model / <i>Model no.:</i> TSH 30 NC STANDARD, TSH 30 NC BASIC, TSH 30 NC BASIC 24V, TSH 30 NO BASIC, TSH 28 NC BASIC, TSH 28 NO BASIC, TSH 28 NC BASIC 24V	
<b>2</b>	Nazwa i adres producenta: <i>Name and address of the manufacturer:</i>
TWEETOP Sp. z o.o. Ludowa 24 C 71-700 Szczecin Polska / <i>Poland</i>	
<b>3</b>	Niniejsza deklaracja zgodności wydana zostaje na wyłączną odpowiedzialność producenta <i>This declaration of conformity is issued under the sole responsibility of the manufacturer</i>
<b>4</b>	Wymieniony powyżej przedmiot niniejszej deklaracji zgodności UE/WE jest zgodny z odnośnymi wymaganiami unijnego prawodawstwa harmonizacyjnego: <i>The object of the declaration described above is in conformity with relevant Union harmonization legislation:</i>
<b>2014/35/UE</b> Dyrektywa Parlamentu Europejskiego i Rady 2014/35/UE z dnia 26 lutego 2014 r. w sprawie harmonizacji ustawodawstw państw członkowskich odnoszących się do udostępniania na rynku sprzętu elektrycznego przewidzianego do stosowania w określonych granicach napięcia / <i>Directive 2014/35/EU of the European Parliament and of the council of 26 February 2014 on the harmonisation of the laws of the Member States relating to the making available on the market of electrical equipment designed for use within certain voltage limits</i> <b>2014/30/UE</b> Dyrektywa Parlamentu Europejskiego i Rady 2014/30/UE z dnia 26 lutego 2014 r. w sprawie harmonizacji ustawodawstw państw członkowskich odnoszących się do kompatybilności elektromagnetycznej / <i>Directive 2014/30/EU of the European Parliament and of the Council of 26 February 2014 on the harmonisation of the laws of the Member States relating to electromagnetic compatibility</i>	
<b>5</b>	Odniesienia do odnośnych norm zharmonizowanych, które zastosowano, wraz z datą normy, lub do innych specyfikacji technicznych, wraz z datą specyfikacji, w odniesieniu do których deklarowana jest zgodność: <i>References to the relevant harmonised standards used, including the date of the standard or references to the other technical specifications, including the date of the specification, in relations to which conformity is declared:</i>
EN 60730-1:2016+A1:2019 ; EN 60730-1:2016+A2:2022 ; EN IEC 60730-2-14:2019+A1:2022+A2:2021 ; EN IEC 61000-3-2:2019+A1:2021 ; EN 61000-3-3:2013+A2:2021	

<b>6</b>	Sporządziła: <i>Issued by:</i>	W imieniu producenta podpisał: <i>Signed for and on behalf of:</i>
Natalia Margiel Dyr. Działu Jakości i Cert. <i>Head of QC and Certification Dept</i> (nazwisko / <i>name</i> ) (stanowisko / <i>function</i> )		Krzysztof Bilbin, Członek Zarządu <i>Member of the Board</i> (nazwisko / <i>name</i> ) (stanowisko / <i>function</i> ) 





## Contact Us

### Headquarters

Ludowa 24 C  
71-700 Szczecin  
Poland

[export@tweetop.com](mailto:export@tweetop.com)

### Western Europe

+48 519 879 617

### Eastern Europe

+48 725 540 032

### Southern Europe

+48 725 453 190



Tweetop sp. z o.o.  
ul. Ludowa 24C  
71-700 Szczecin | POLAND

[WWW.TWEETOP.COM](http://WWW.TWEETOP.COM)

